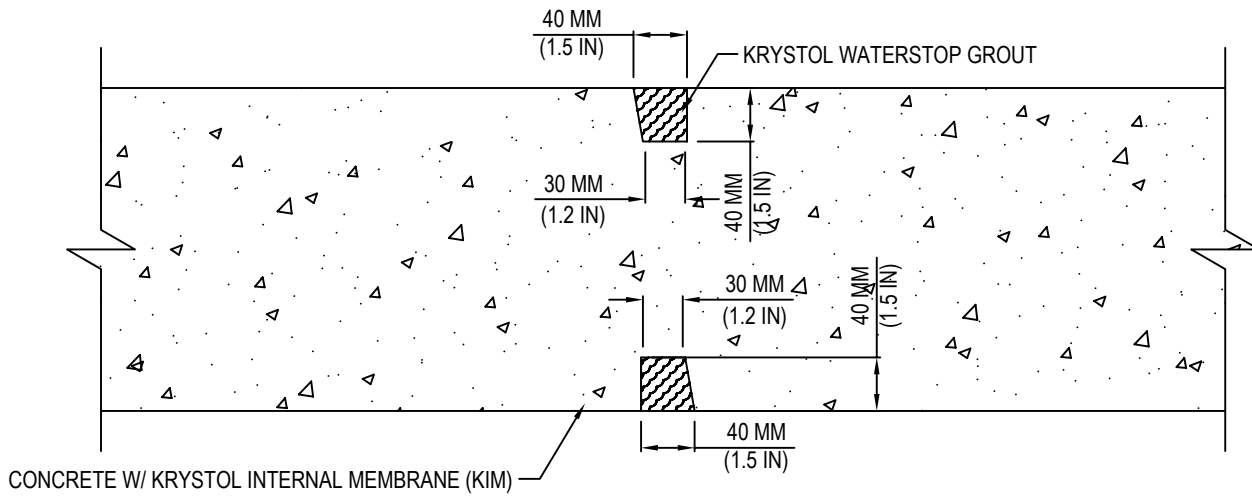




KRYTON INTERNATIONAL INC.
 1645 EAST KENT AVE.
 VANCOUVER, BC V5P 2S8
 TOLL FREE: 1-800-267-8280
 PHONE: (604) 324-8280
 FAX: (604) 324-8899
 www.kryton.com



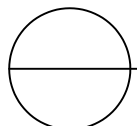
CONTROL JOINTS
 BACK FILLED WALL

MANUFACTURER'S NOTES:

1. CREATE 40 MM X 40 MM (1.5 IN. X 1.5 IN.), TAPERING TO 30 MM (1.2 IN.), KEYWAYS ON EITHER SIDE WHERE THE CONTROL JOINT IS TO BE LOCATED.
2. PLACE CONCRETE TREATED WITH KRYSTOL INTERNAL MEMBRANE (KIM).
3. TIGHTLY PACK PREFORMED KEYWAY FLUSH TO THE SURFACE WITH KRYSTOL WATERSTOP GROUT AT A RATE OF 3.33 KG/M (2.23 LB./FT.)

NOTES:

1. INSTALLATION TO BE COMPLETED IN ACCORDANCE WITH MANUFACTURER'S SPECIFICATIONS.
2. DO NOT SCALE DRAWING.
3. THIS DRAWING IS INTENDED FOR USE BY ARCHITECTS, ENGINEERS, CONTRACTORS, CONSULTANTS AND DESIGN PROFESSIONALS FOR PLANNING PURPOSES ONLY. THIS DRAWING MAY NOT BE USED FOR CONSTRUCTION.
4. ALL INFORMATION CONTAINED HEREIN WAS CURRENT AT THE TIME OF DEVELOPMENT BUT MUST BE REVIEWED AND APPROVED BY THE PRODUCT MANUFACTURER TO BE CONSIDERED ACCURATE.
5. CONTRACTOR'S NOTE: FOR PRODUCT AND COMPANY INFORMATION VISIT www.CADdetails.com/info AND ENTER REFERENCE NUMBER 5104-030



KRYSTOL WATERSTOP SYSTEM

CONTROL JOINT – BACK FILLED WALL – EXT GROUT METHOD